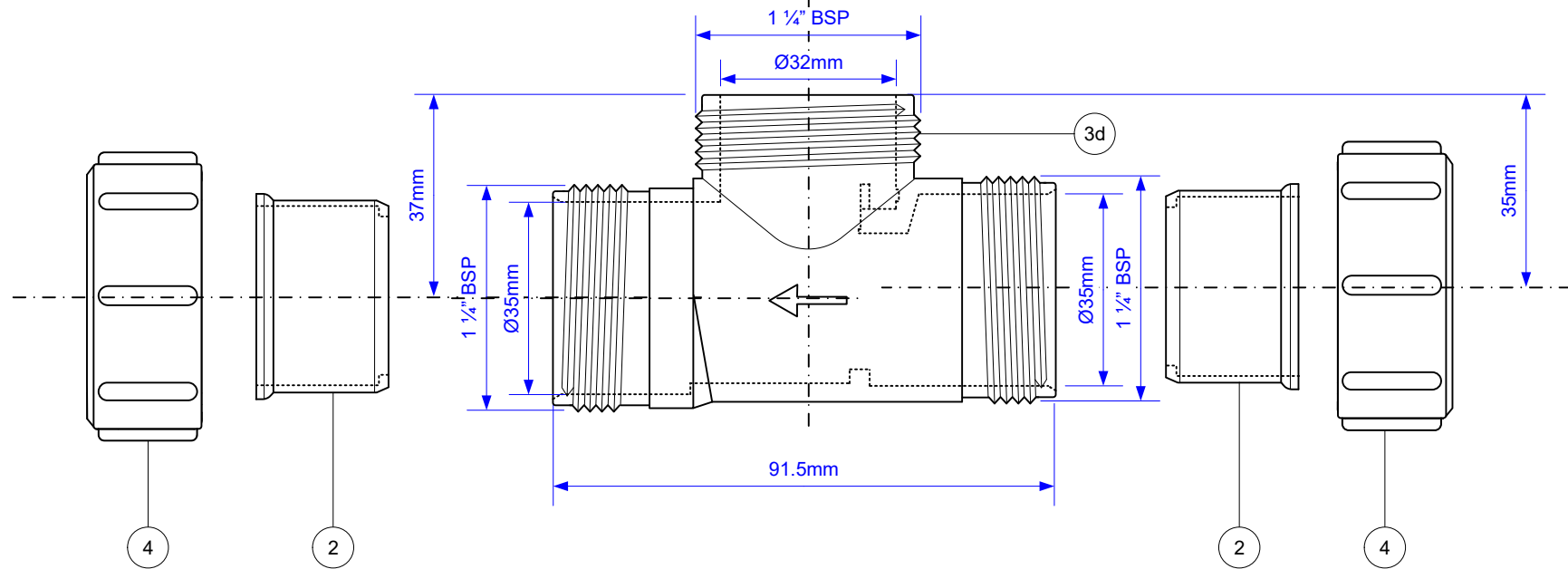
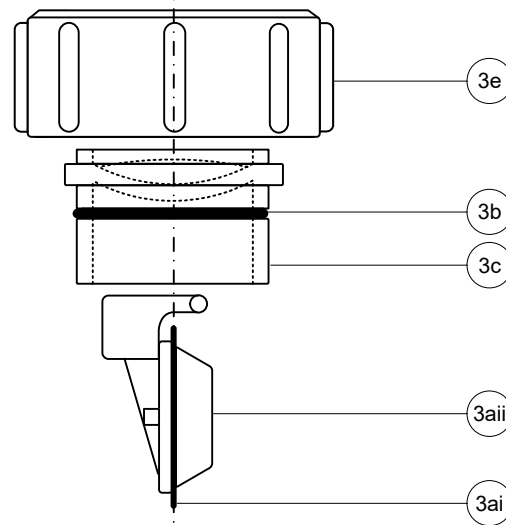


Code:

S28-NRV-32

Part No.	Code	Qty
1	P-B-S270X250MC	1
2	S28MNRV-R/SEAL	2
3	S28NRVBODY-SUB	1
a	CAR+DIA-S28M	1
i	P-RW-S28NRV	1
ii	S28MNRVCARRIER	1
b	P-OR-VP15	1
c	S28MNRVPLUG	1
d	S28NRV-32BODY	1
e	S8B	1
4	S8B	2



Drawing verified correct as of:

03/11/2017
RM

DRAWN BY

RM

REVISED

23/01/2017, 14/04/2017, 03/11/2017

FILENAME

S28-NRV-32.VSD

SCALE

1: 1.25

DATE

03/11/2017