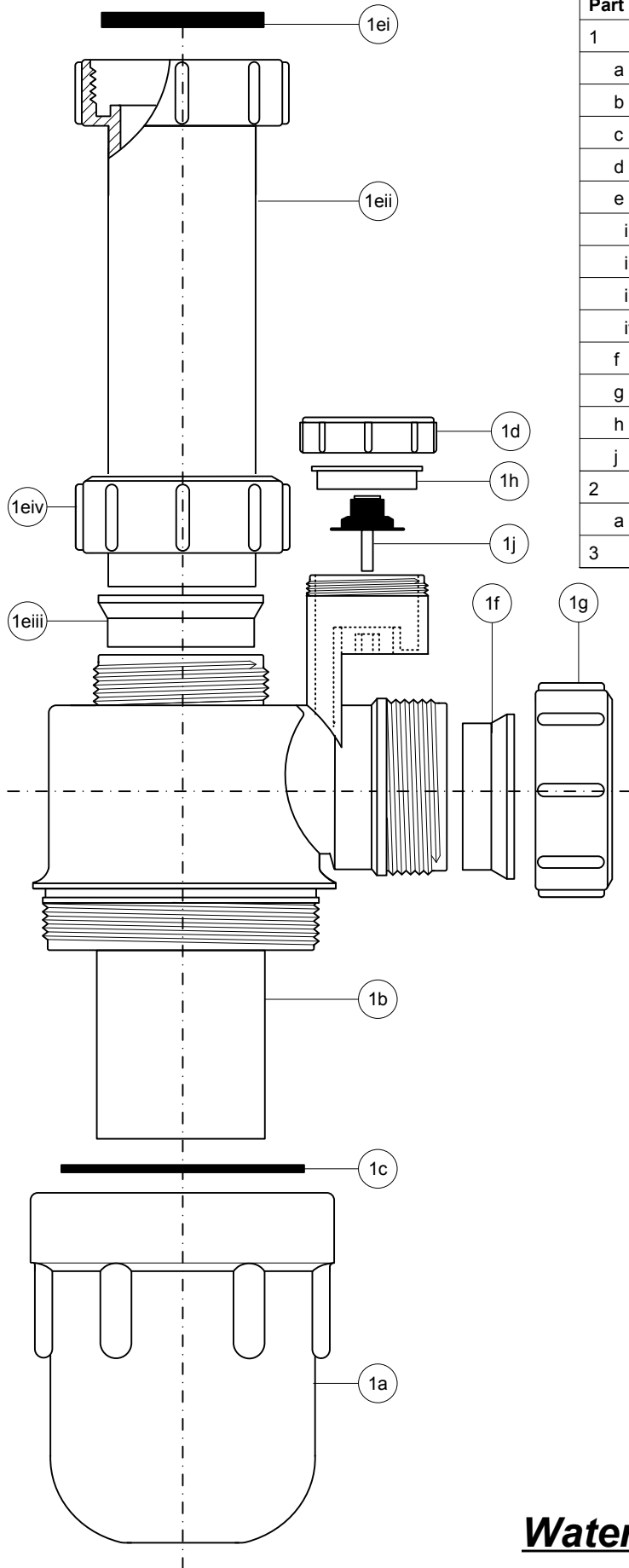
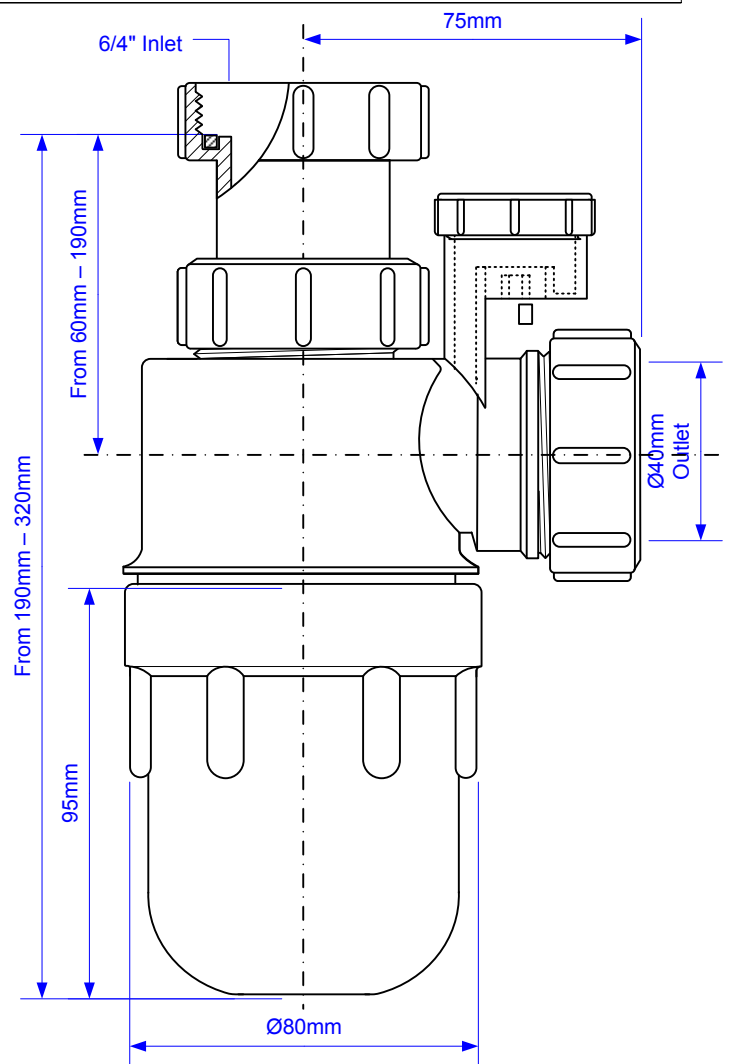


Code:

# 5135



Part No.	Code	Description	Material
1	C31AV-SUB		
a	C10BOTTOM	Bottom	Polypropylene
b	C1AVTOP	Body	Polypropylene
c	CRW10	Seal	Nitrile
d	SILENTRAPLID	Lid	Polypropylene
e	STALK-1.5-ADJ-SUB	Inlet Stalk Sub	
i	40M	Seal	Nitrile
ii	STALK-1.5-ADJ	Inlet Stalk	Polypropylene
iii	T13-ISON	Seal	LDPE
iv	T8B	Compression Nut	Polypropylene
f	T13-ISON	Seal	LDPE
g	T8B	Compression Nut	Polypropylene
h	UNDERLID	Underlid	LDPE
j	VP15VALVE	Valve	Nitrile
2	LAB-5135	Label	Label
a	P-L-WALL158X73PR	Label	Label
3	P-B-S270X250MC	Bag	Polythene



**Water Seal: 75mm**

© McALPINE  
27/09/2012

Drawing verified  
correct as of:

15/03/2016  
RM

DRAWN BY

RM

REVISED

28/08/2009, 13/07/2010  
27/09/2012, 16/03/2015  
15/03/2016

FILENAME

5135.VSD

DATE

15/03/2016

SCALE

1: 1.75