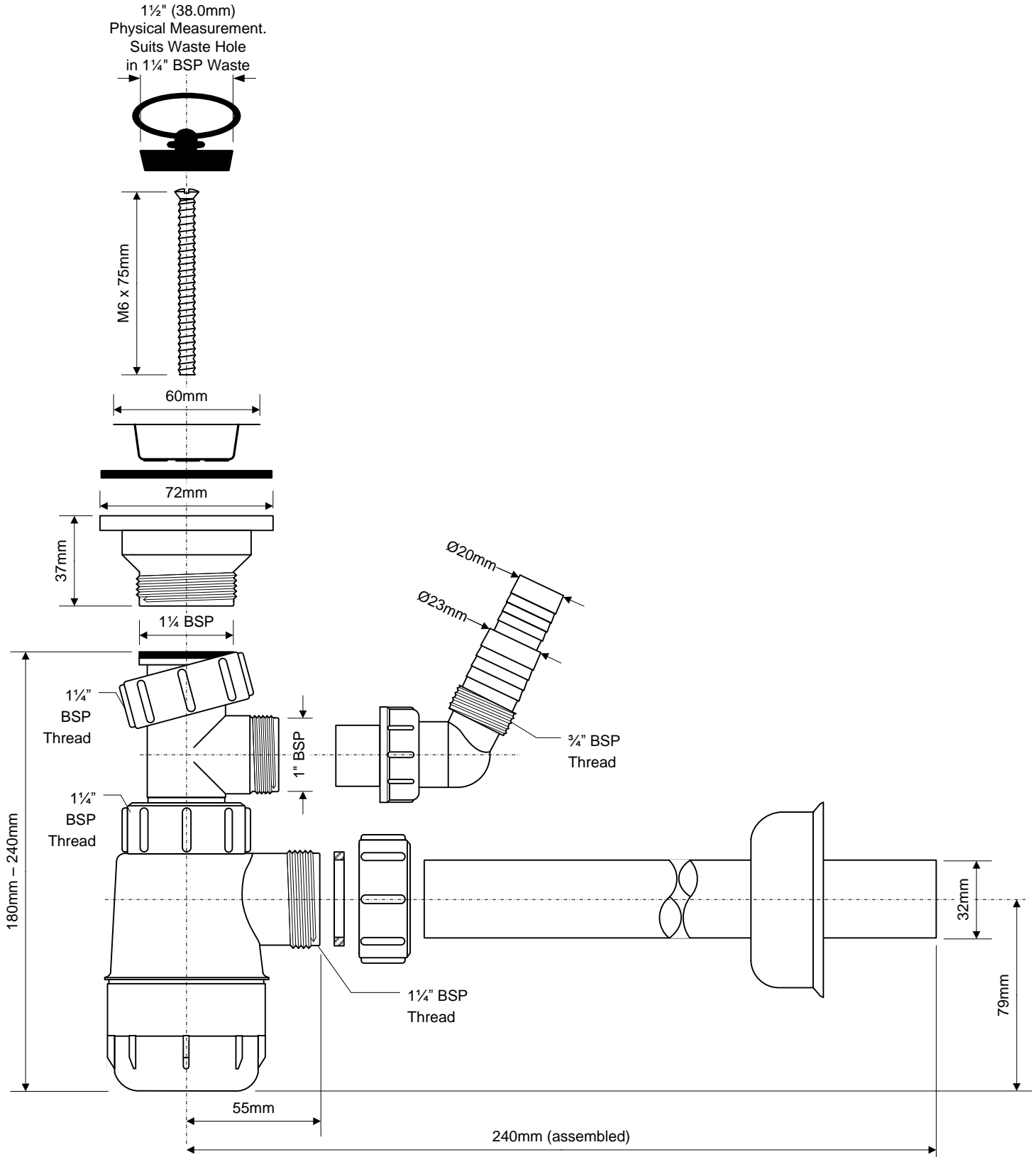


Code:

HC1LWM



©
McALPINE

Drawing verified
correct as of:

25.05.16
T.C.

DRAWN BY

TC

SCALE

1: 2.2

REVISED

1 - Re-drawn to scale
2 - Check size & add pg2
(TC 25.05.16)

FILENAME

HC1LWM.VSD

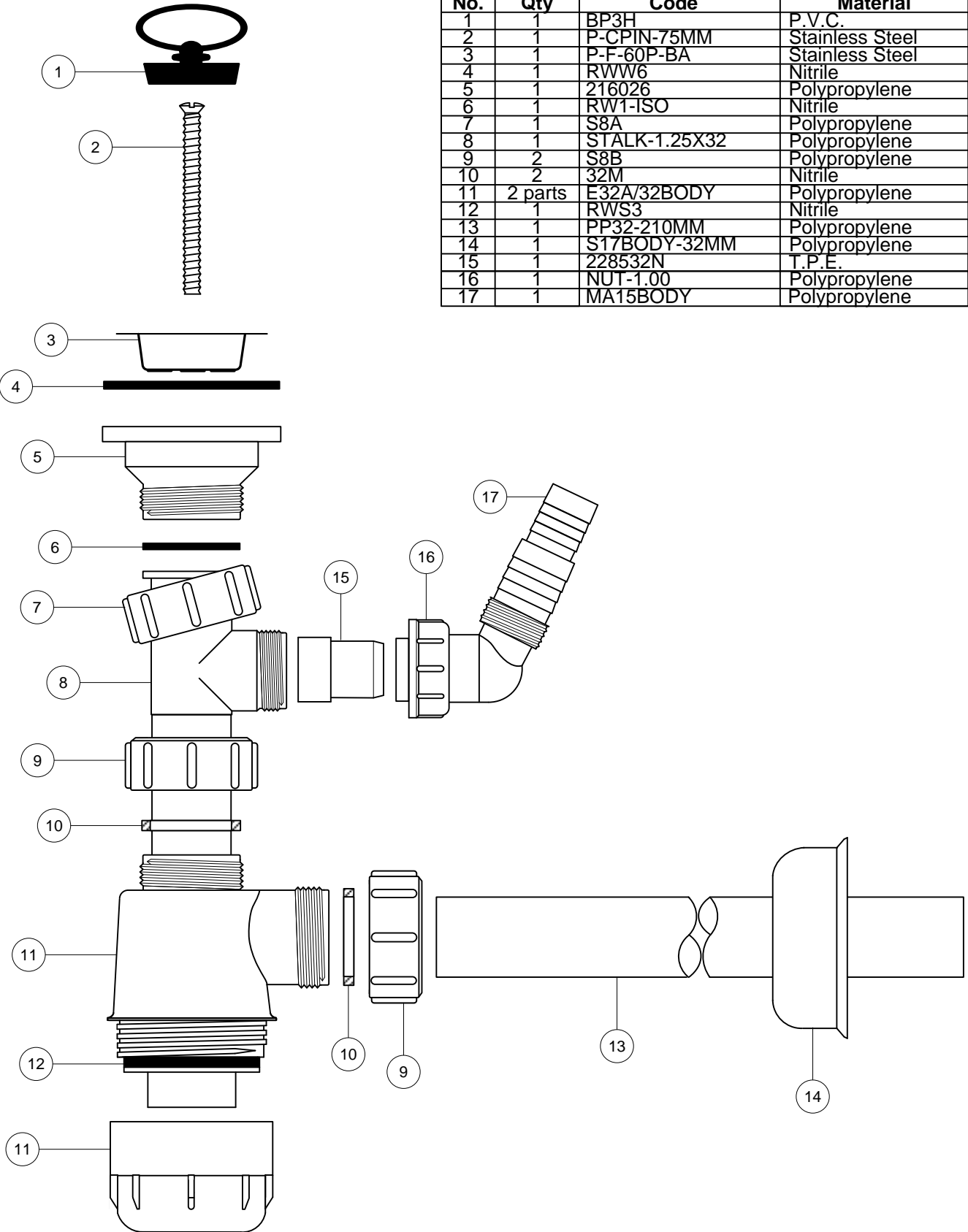
DATE

25.05.16

Code:

HC1LWM

No.	Qty	Code	Material
1	1	BP3H	P.V.C.
2	1	P-CPIN-75MM	Stainless Steel
3	1	P-F-60P-BA	Stainless Steel
4	1	RWW6	Nitrile
5	1	216026	Polypropylene
6	1	RW1-ISO	Nitrile
7	1	S8A	Polypropylene
8	1	STALK-1.25X32	Polypropylene
9	2	S8B	Polypropylene
10	2	32M	Nitrile
11	2 parts	E32A/32BODY	Polypropylene
12	1	RWS3	Nitrile
13	1	PP32-210MM	Polypropylene
14	1	S17BODY-32MM	Polypropylene
15	1	228532N	T.P.E.
16	1	NUT-1.00	Polypropylene
17	1	MA15BODY	Polypropylene



©
McALPINE

Drawing verified correct as of:	25.05.16 T.C.	DRAWN BY	TC	REVISED	1 – Re-drawn to scale	FILENAME	HC1LWM.VSD
		SCALE	1: 2.2		2 – Check size & add pg2 (TC 25.05.16)	DATE	25.05.16