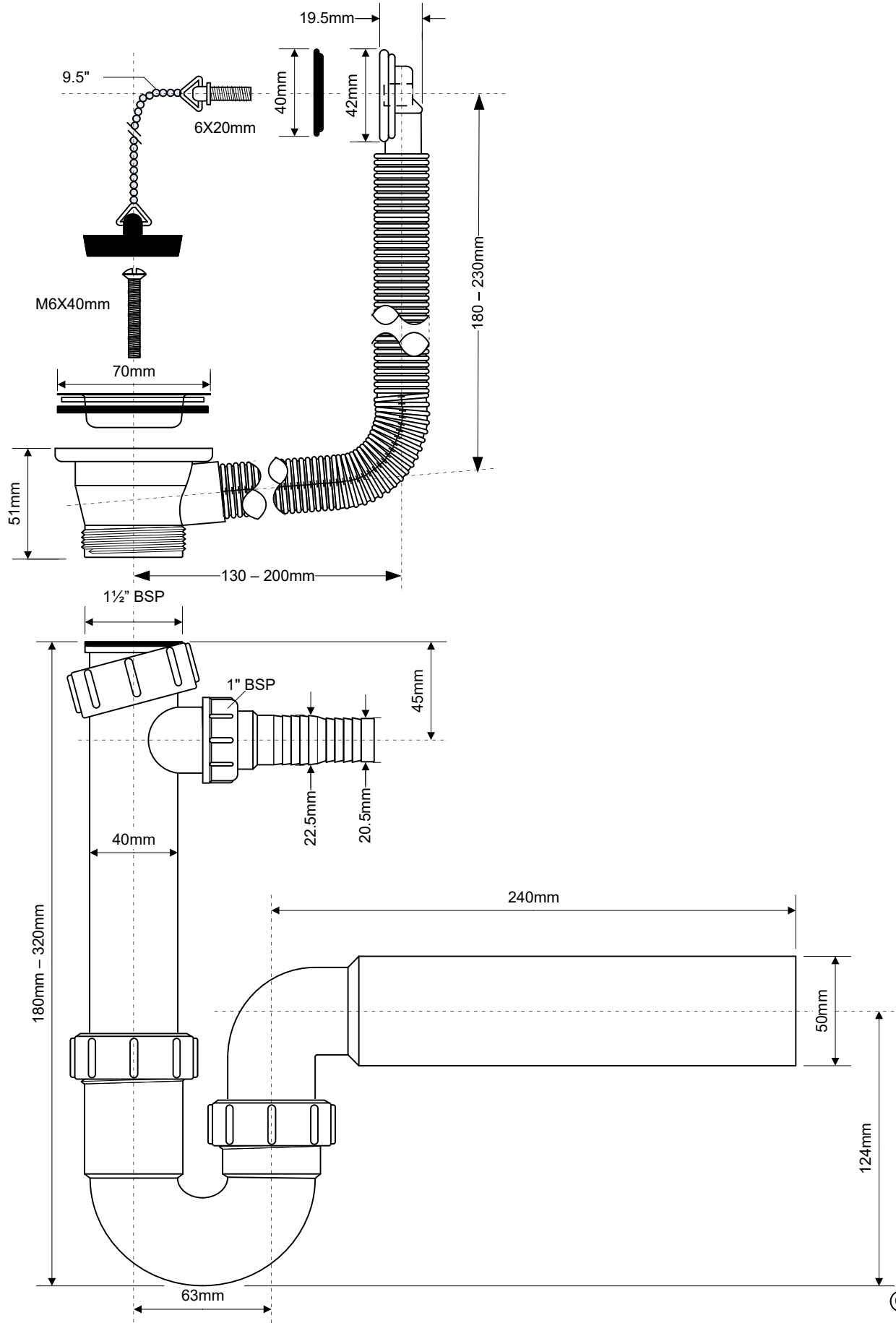


Code:

HC7HC17

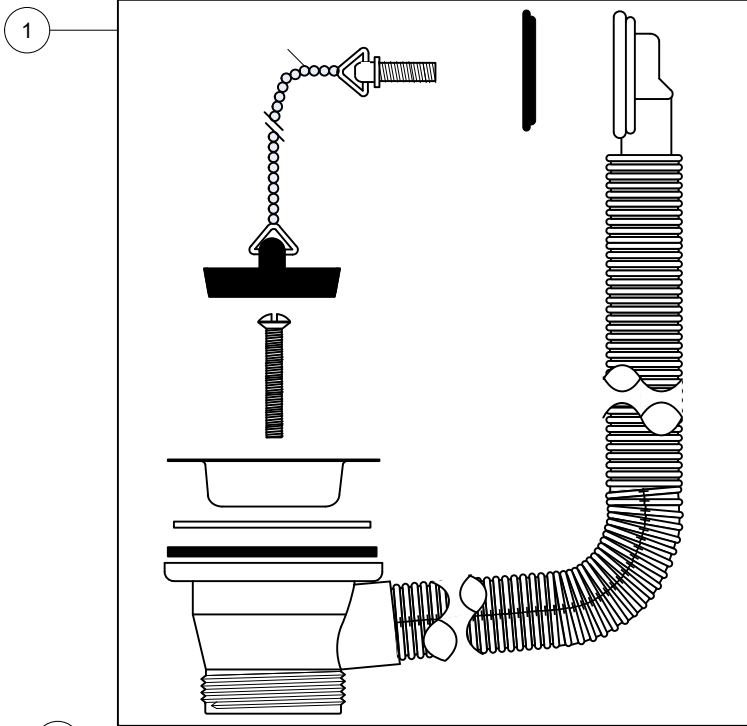


©  
McALPINE

Drawing verified correct as of:	DRAWN BY TC	REVISED 1-Add pg2 (13.01.21 TC)	FILENAME HC7HC17.VSD
		SCALE 1: 2.5	DATE 23.04.12

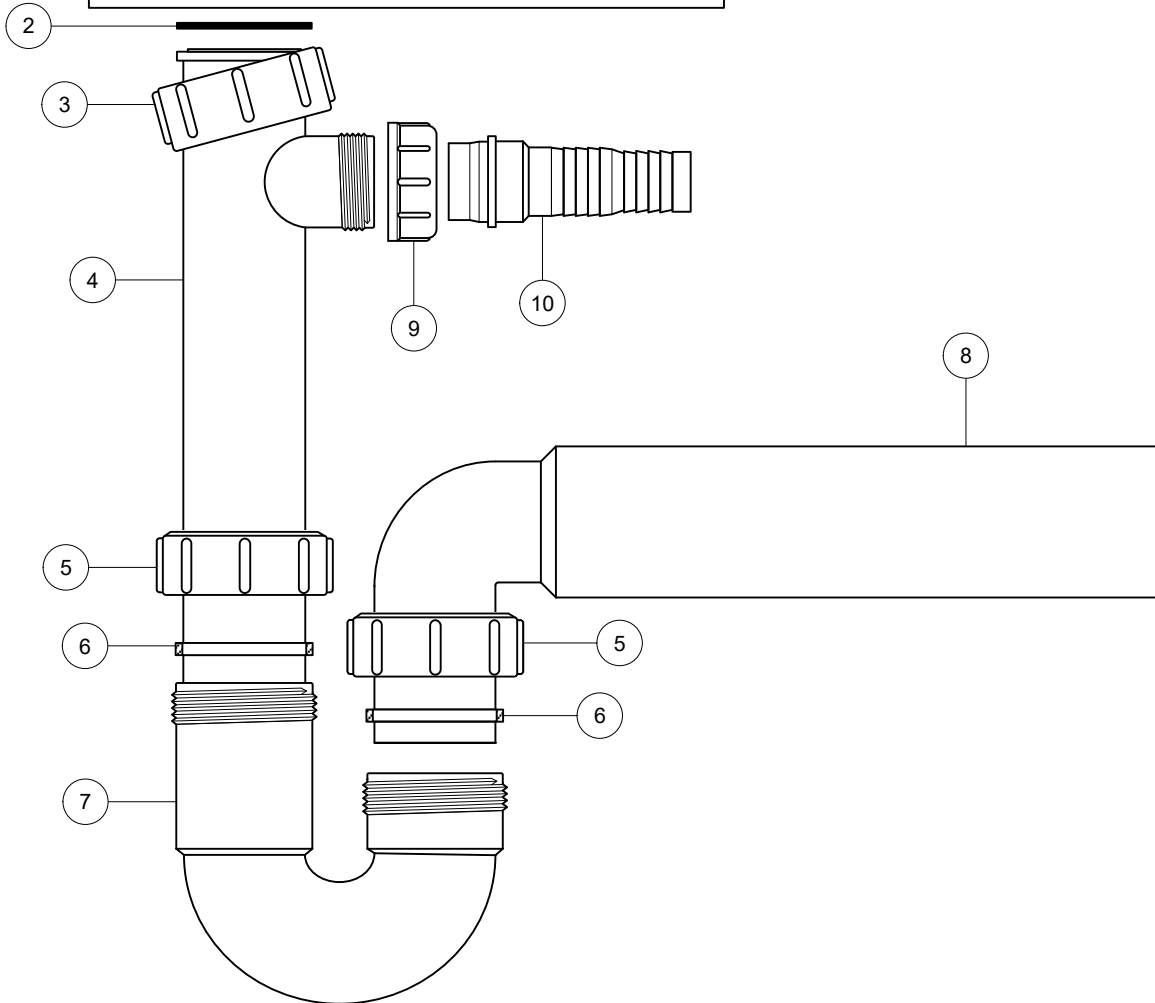
Code:

HC7HC17



No.	Qty	Code	Material
1	2	HC17	
	1	225832	Polypropylene
	1	BP4	PVC
	1	CH5	C.P. Brass
	1	FLEX25-229-WH	Polypropylene
	1	O/F-RECT-6MM	A.B.S.
	1	O/F-RECT-SEAL	EPDM
	1	P-CPIN-40MM	Stainless Steel
	1	P-F-70P-BA	Stainless Steel
	1	P-SPW-65MM	Polyethylene
	1	P-STAY-6/20	Stainless Steel
	1	RWW6	Nitrile

No.	Qty	Code	Material
2	1	RW2-ISO	Nitrile
3	1	T8A	Polypropylene
4	1	STALK-LONGW/M	Polypropylene
5	2	T8B	Polypropylene
6	2	40M	EPDM
7	1	1.5-ADJ-THREAD	Polypropylene
8	1	222615	Polypropylene
9	1	NUT-1.00	Polypropylene
10	1	222613	Polypropylene



©

McALPINE

Drawing verified  
correct as of:

DRAWN BY

TC

REVISED

1-Add pg2 (13.01.21 TC)

FILENAME

HC7HC17.VSD

SCALE

1: 2.5

DATE

23.04.12