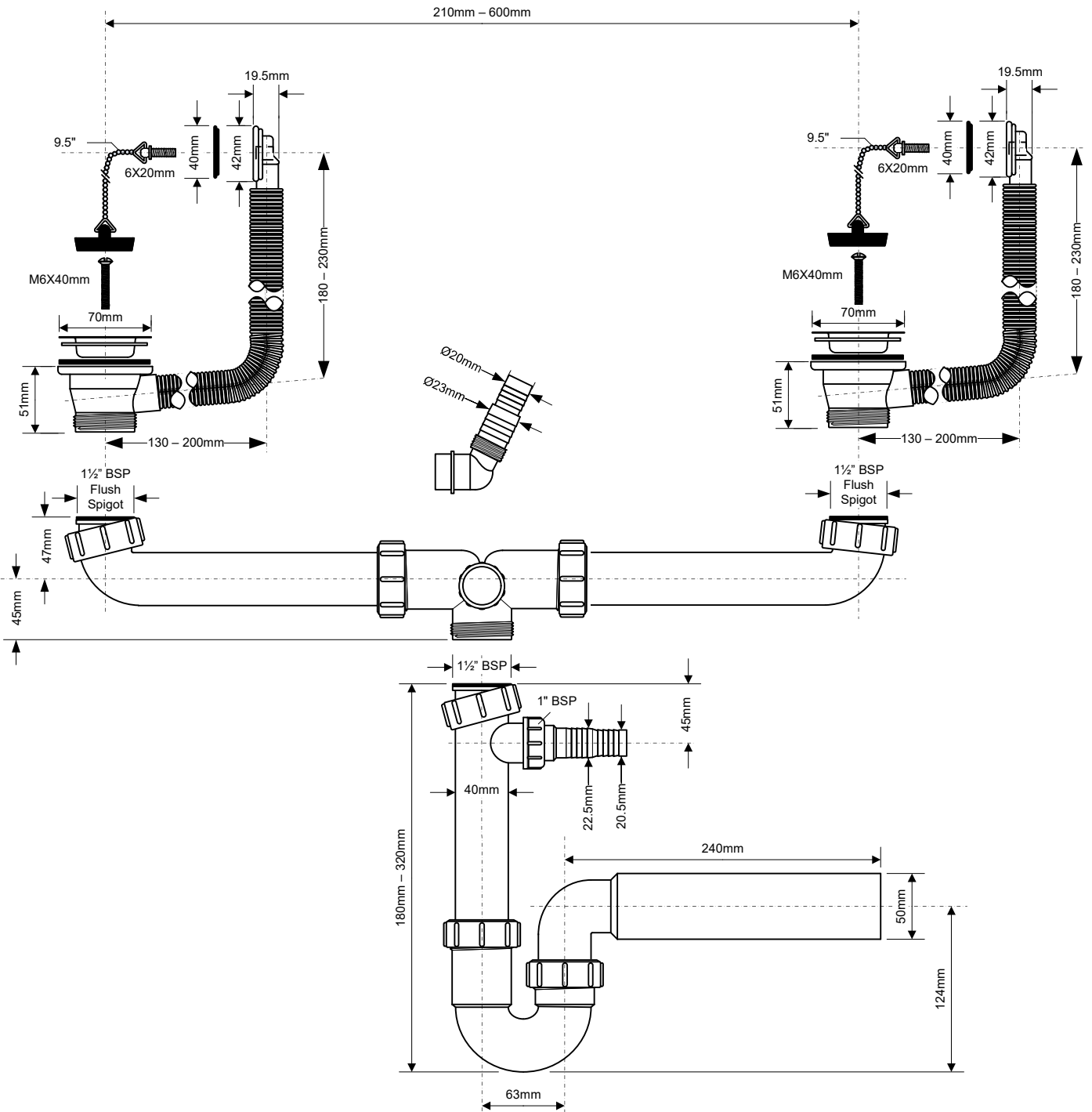


Code:

HC7+1017



McALPINE

Drawing verified  
correct as of:

08.05.12  
TC

DRAWN BY

TC

REVISED

1-Add pg2 (TC 13.01.21)

SCALE

1: 4.5

FILENAME

HC7PLUS1017\_2018050522

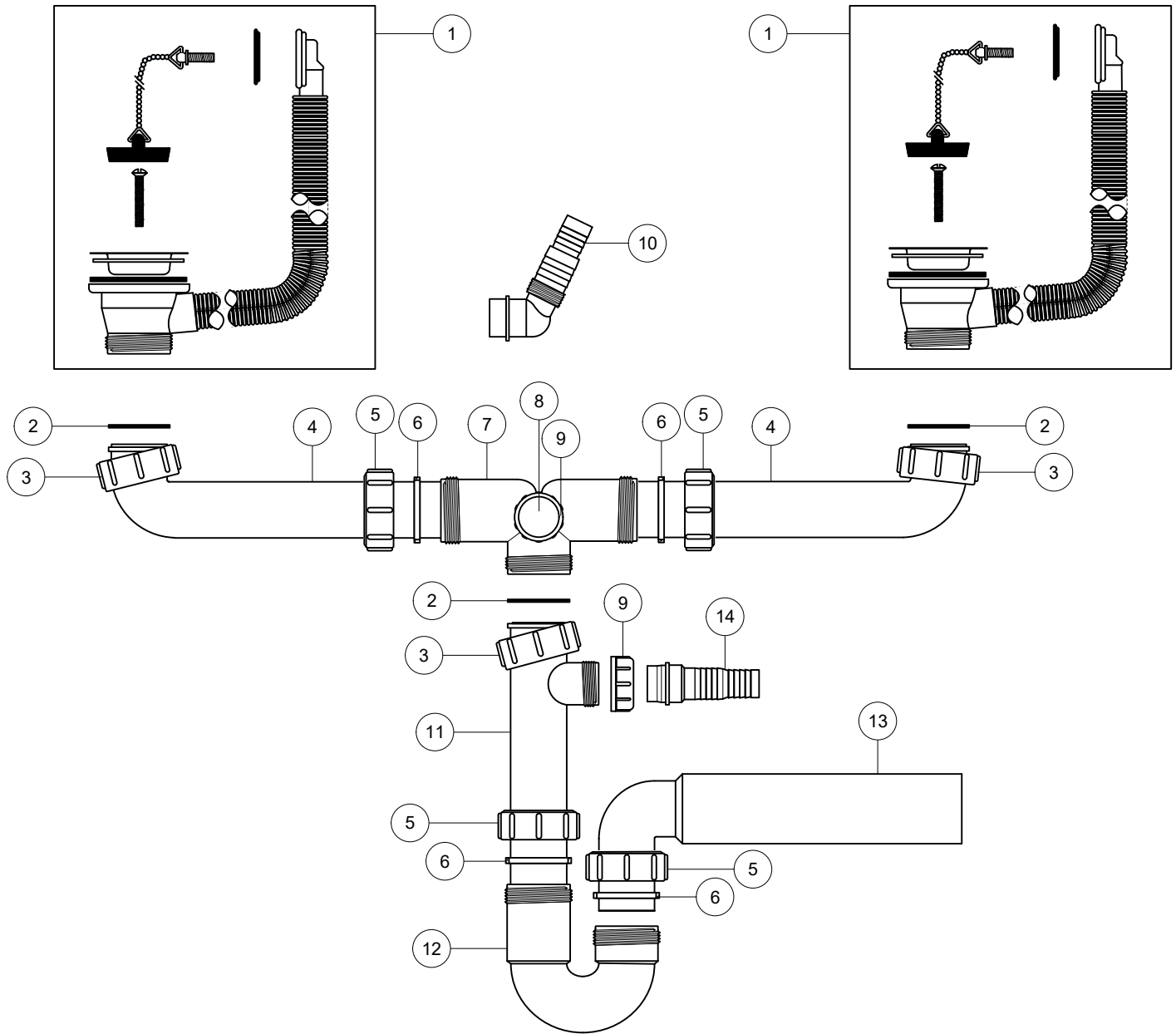
DATE

0114445-VSD

08.05.12

Code:

HC7+1017



| No. | Qty | Code          | Material        |
|-----|-----|---------------|-----------------|
| 1   | 2   | HC17          |                 |
|     | 1   | 225832        | Polypropylene   |
|     | 1   | BP4           | PVC             |
|     | 1   | CH5           | C.P. Brass      |
|     | 1   | FLEX25-229-WH | Polypropylene   |
|     | 1   | O/F-RECT-6MM  | ABS             |
|     | 1   | O/F-RECT-SEAL | EPDM            |
|     | 1   | P-CPIN-40MM   | Stainless Steel |
|     | 1   | P-F-70P-BA    | Stainless Steel |
|     | 1   | P-SPW-65MM    | Polyethylene    |
|     | 1   | P-STAY-6/20   | Stainless Steel |
|     | 1   | RWW6          | Nitrile         |

| No. | Qty | Code           | Material      |
|-----|-----|----------------|---------------|
| 2   | 3   | RW2-ISO        | Nitrile       |
| 3   | 3   | T8A            | Polypropylene |
| 4   | 2   | 229618         | Polypropylene |
| 5   | 4   | T8B            | Polypropylene |
| 6   | 4   | 40M            | EPDM          |
| 7   | 1   | TEE-4WAY-UK    | Polypropylene |
| 8   | 1   | UNDERLID       | LDPE          |
| 9   | 2   | NUT-1.00       | Polypropylene |
| 10  | 1   | MA15BODY       | Polypropylene |
| 11  | 1   | STALK-LONGW/M  | Polypropylene |
| 12  | 1   | 1.5-ADJ-THREAD | Polypropylene |
| 13  | 1   | 222615         | Polypropylene |
| 14  | 1   | 222613         | Polypropylene |

©

McALPINE

Drawing verified  
correct as of:

08.05.12  
TC

DRAWN BY

TC

REVISED

1-Add pg2 (TC 13.01.21)

SCALE

1: 4.5

FILENAME

HC7PLUS1017\_2018050522

DATE

0114445.VSD

08.05.12