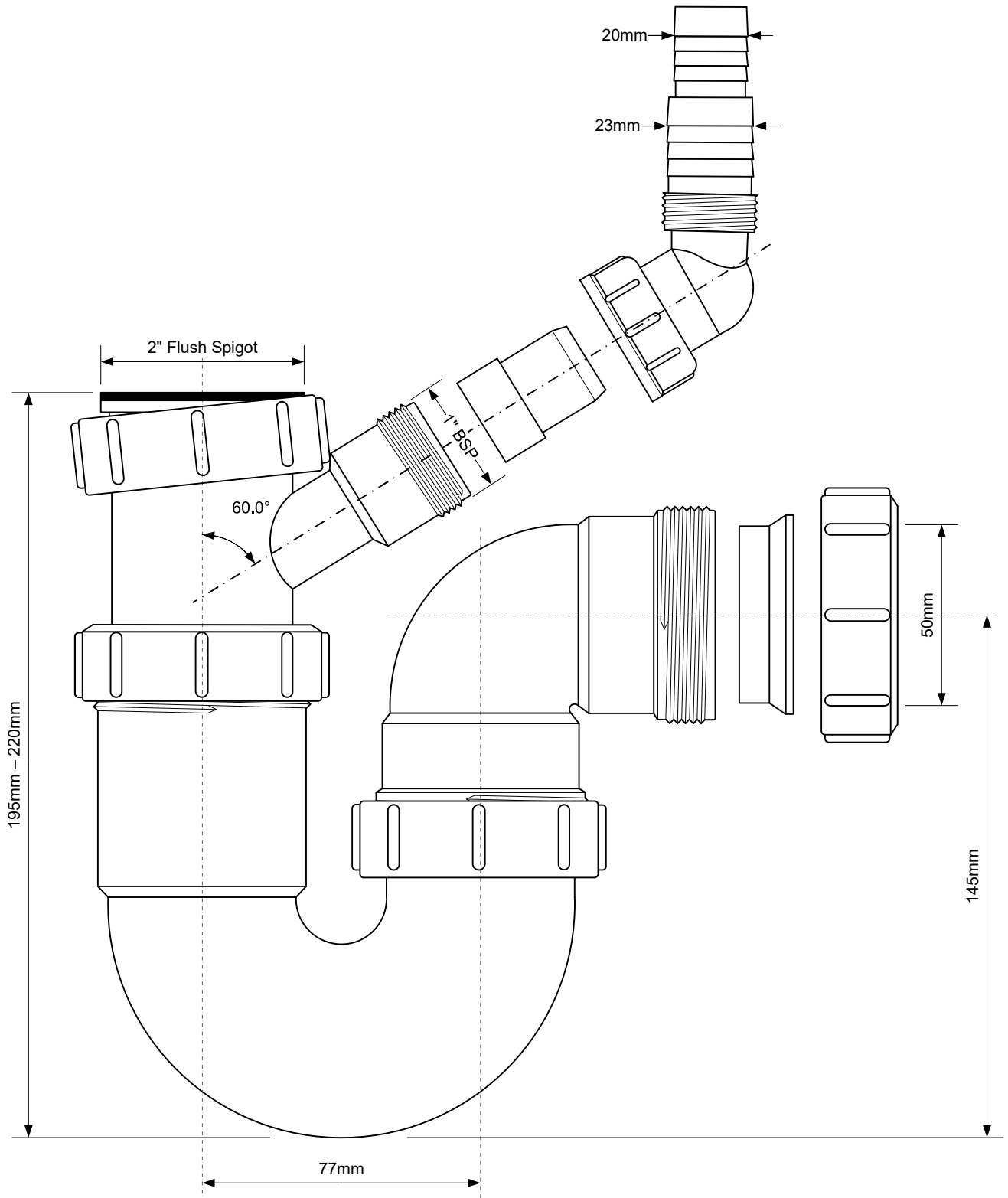


Code:

HC4-250W



McALPINE

Drawing verified
correct as of:

16.04.12
TC

DRAWN BY
TC

SCALE
1: 1.6

REVISED

1-Re-drawn to scale
2-Add pg2 (13.01.21 TC)

FILENAME

HC4-250W.VSD

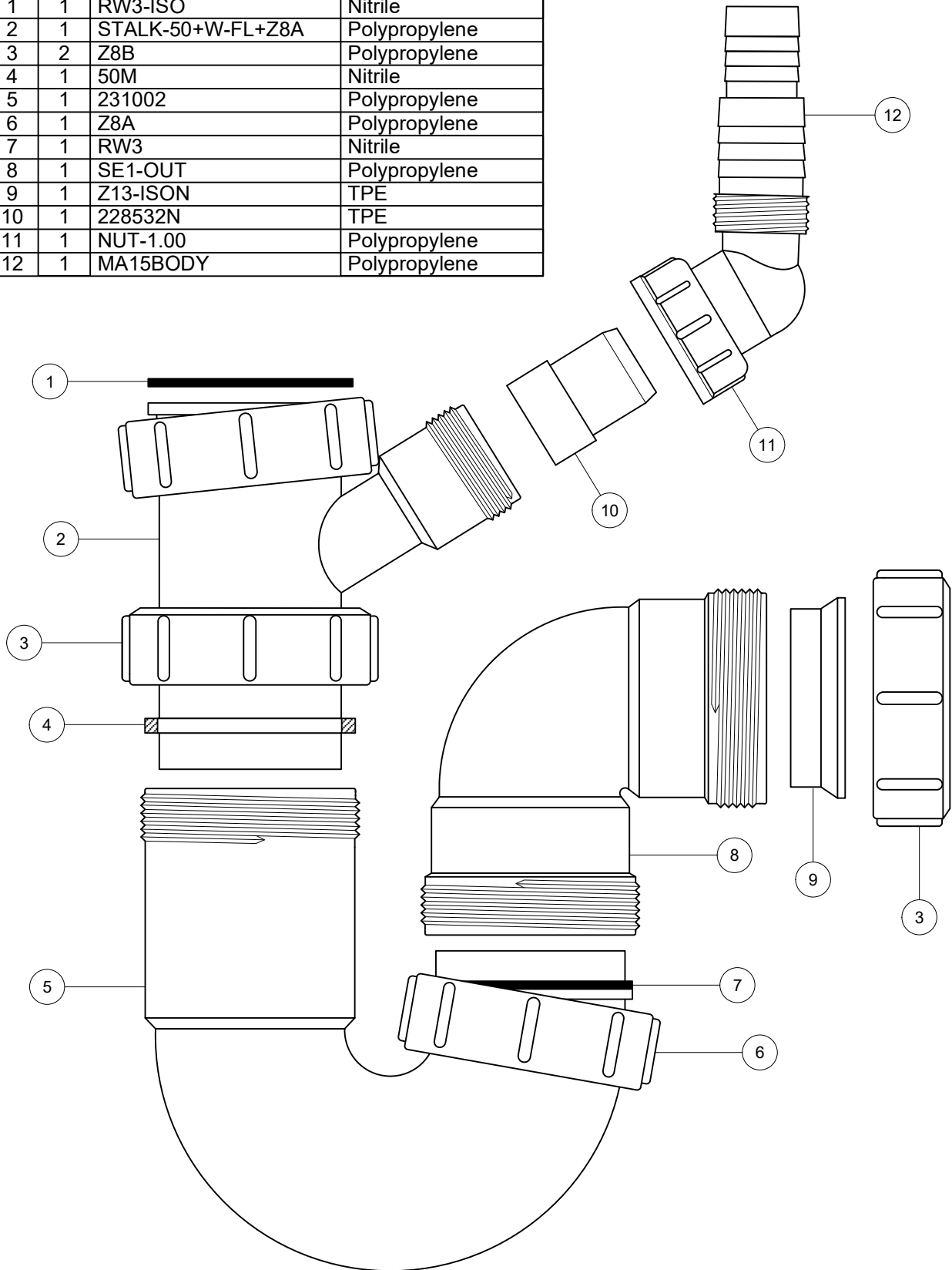
DATE

16.04.12

Code:

HC4-250W

No.	Qty	Code	Material
1	1	RW3-ISO	Nitrile
2	1	STALK-50+W-FL+Z8A	Polypropylene
3	2	Z8B	Polypropylene
4	1	50M	Nitrile
5	1	231002	Polypropylene
6	1	Z8A	Polypropylene
7	1	RW3	Nitrile
8	1	SE1-OUT	Polypropylene
9	1	Z13-ISON	TPE
10	1	228532N	TPE
11	1	NUT-1.00	Polypropylene
12	1	MA15BODY	Polypropylene



McALPINE

Drawing verified
correct as of:

16.04.12
TC

DRAWN BY
TC
SCALE
1: 1.6

REVISED
1-Re-drawn to scale
2-Add pg2 (13.01.21 TC)

FILENAME
HC4-250W.VSD
DATE
16.04.12